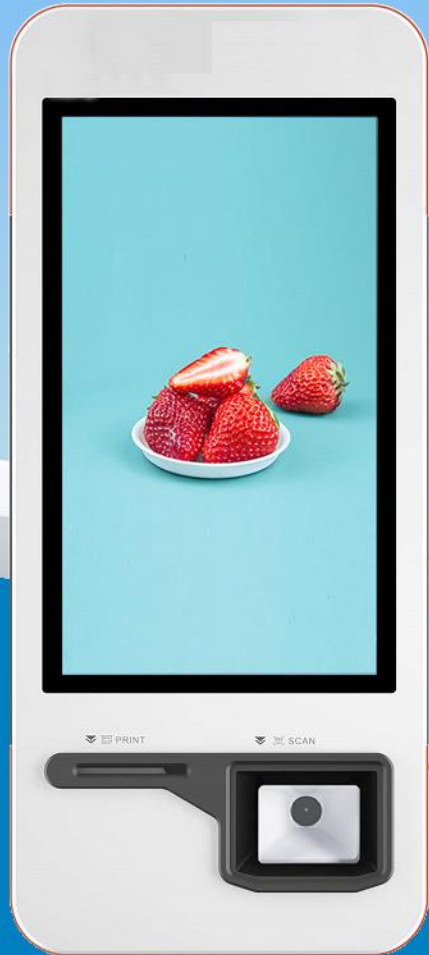




SKE Series

Go over big for a reason.



Of high taste and practical.

Get a better visual experience with a big screen.

With this capacitive 21.5" FHD screen which is 10-point multi-touch, customers can enjoy a superior visual experience as well as a smooth using experience.



Feel its powerful performances.



Android / Windows
(optional)



4G
RAM
16G
ROM

4G RAM+16G ROM
(Android)
4G RAM+64G SSD
(Windows)



Wi-Fi (option)



58mm/80mm
Japanese Seiko Print Engine



Two stereo speakers.

Brings customers pleasant and clear prompt sounds with two stereo speakers (one on each side).



SELECTED PRINT

EMERGENCY



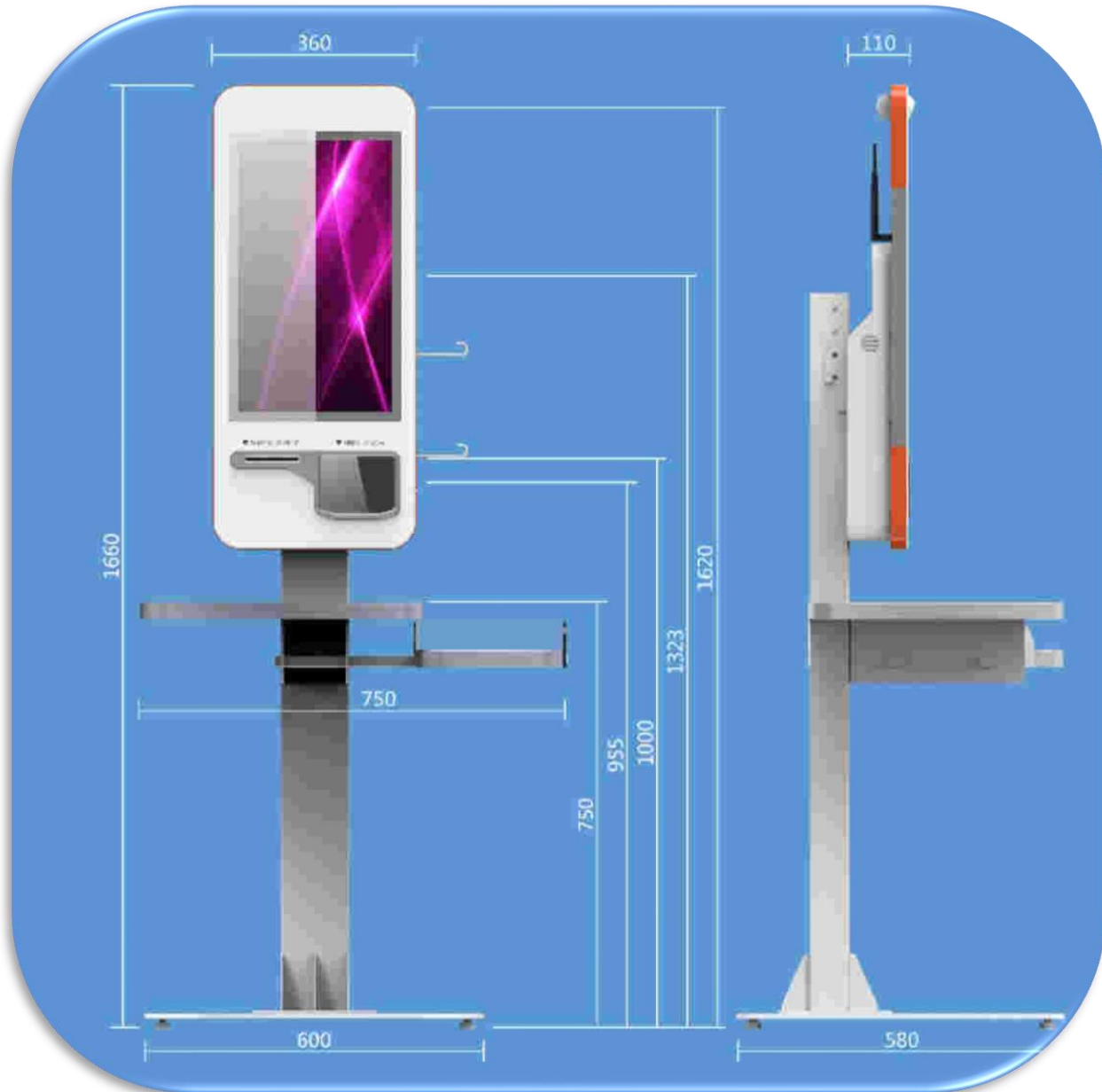
Prainting your style color

Customized LOGO & CIS color



Japanese Seiko print engine. (58mm/80mm)

Customers can scan to order and pay to get a ticket in real time for meal pick-up, while kitchen staff can start cooking with the ticket received in the meantime, thus saving 1-2 manpower in the whole process. The eye-catching orange is used on ticket exit as a reminder.



Dimension



Simulation Chart

SKE Tech Specs



OS

Windows 10
Android 7 (option)



CPU

Intel Celeron J1900 /
Intel i3/i5 Processor (optional)



Memory

4G RAM+64G SSD
(max 8G RAM & 128G SSD)



Display

21.5" 1080×1920 FHD
G + G capacitive screen
supports 10 touch points



Camera

3D structured light camera
(Option)



Scanner

Support 2D QR code
on mobile screen
(Catering Version)



Scanner

Support 1D, 2D,
mobile screen and printed
barcodes(Retail Version/
Scalable Version)



Printer

58/ 80-column thermal
printer with automatic cutter
Support 80mm OD paperroll
Print speed up to 150mm/s



Speaker

2*3W(stereo)



Wi-Fi

Support IEEE 802.11b/g/n
(Option)



Ethernet

10/100/1000M Ethernet
self-adaptive



Port

1× Micro-USB Debug Port
4× USB TypeA port



Dimensions(WDH)

Wall mount:
360*110*820mm (WDH)

Floor stand:
710*630*1660mm (WDH)



Weight

Wall-mounted:
17.6Kg

Floor-standing:
64.8Kg



Power input

AC100~120V
AC200~240V



Environment

Working temperature: 0 ~ 40°C
Storage temperature: -20°C ~ 55°C



NFC

2nd generation ID card reading
Support M1/ID/CPU card reading & writing
(an option for Extendable Version)